

EDCON-COMPONENTS



Technical Discription

Temperature Range: ABS= -40°C ~ +85°C

PC= -40°C ~ +120°C

Protection Degree

IP66-67

Screw Type Enclosure

EDCON Terminal Boxes are some type has knock outs of 21mm on both surfaces and others have holes.

The latter type is ready to use without additional processing.

This Box has two Holes for Knoch-out. Diameter Hole one 21mm Hole two 21mm.

This Box has 6Pos Terminal Block.



**Terminal Box Waterproof
75x97x43mm**

Part No.: **H19014**

Customer:

DRW:	Jason	CHKD	Wilson	MATL:	Wilson	TOLERANCE	Mason	DATE	12.02.2010
APPD:	Schumi			FINISH	Jamy		Sheet No.		1 from 4

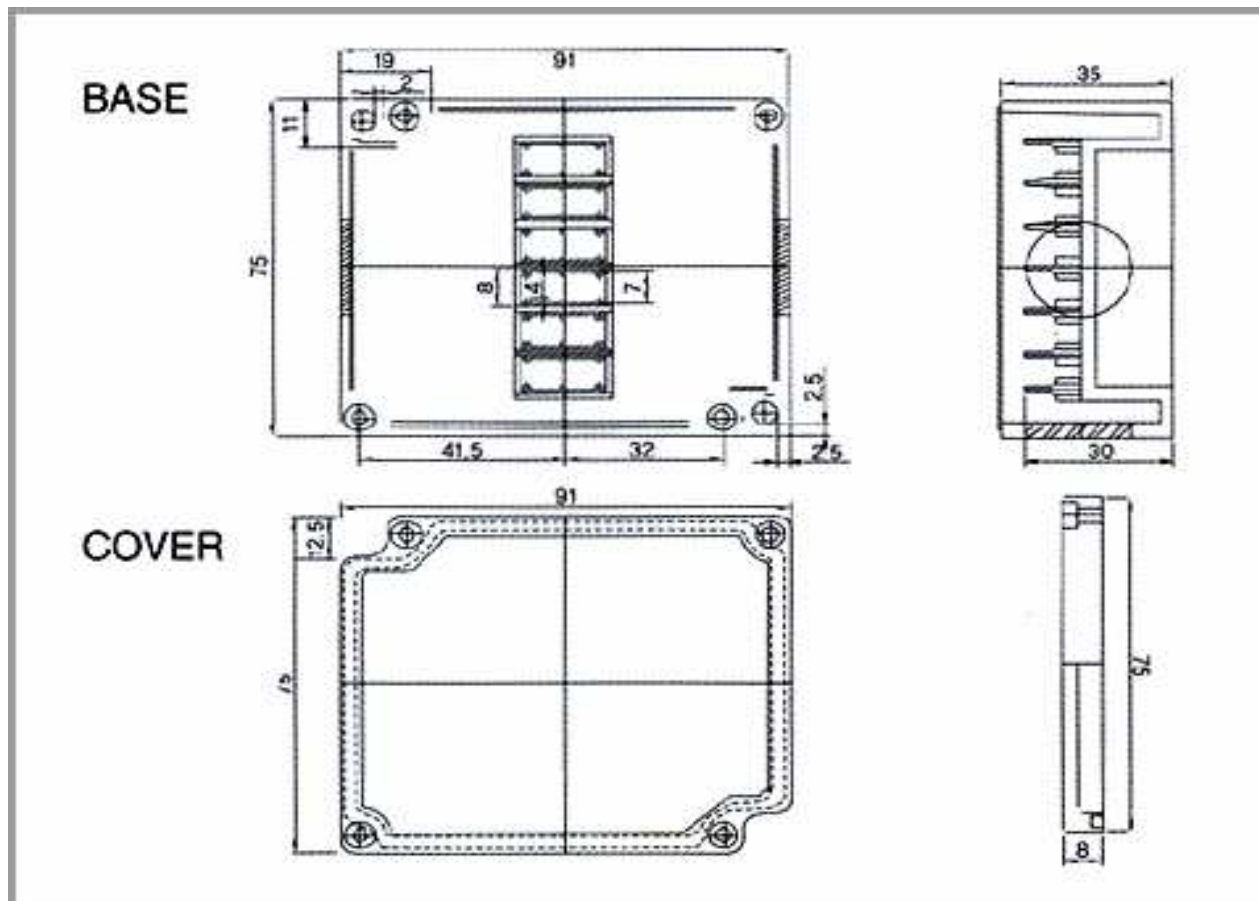
www.edcon-components.com

email: info@edcon-components.com

EDCON-COMPONENTS



Technical Drawing



**Terminal Box Waterproof
75x97x43mm**

Part No.: **H19014**

DRW:	Jason	CHKD	Wilson	MATL:	Wilson	TOLERANCE	Mason	DATE	12.02.2010
APPD:	Schumi			FINISH	Jamy		Sheet No.	2 from 4	

Customer:

www.edcon-components.com

email: info@edcon-components.com

EDCON-COMPONENTS



Ordering Informations

Serie	Material Base	ROHS	Packing							
-------	---------------	------	---------	--	--	--	--	--	--	--

H19014	AB	R	S							
---------------	-----------	----------	----------	--	--	--	--	--	--	--

AB= ABS (Blue-Gray)	R= ROHS Conform	S= Standard Packing
AG= ABS (Gray)	N= NON ROHS Conform	I= Individual Packing
PB= PC Beige		

**Terminal Box Waterproof
75x97x43mm**

Part No.: **H19014**

DRW:	Jason	CHKD	Wilson	MATL:	Wilson	TOLERANCE	Mason	DATE	12.02.2010	Customer:
APPD:	Schumi			FINISH	Jamy		Sheet No.	4 from 4		

www.edcon-components.com

email: info@edcon-components.com